

A yellow and black Dieci tractor is shown in a field, lifting a large round hay bale with its front loader. The tractor has "DIECI" written on the side of the loader arm and the body. The background shows a clear blue sky and a green field.

DIECI

AGRI FARMER



AGRI FARMER

Agri Farmer: the compact telehandler packed with all the **technology of a big machine for big performance.**

Precision movements, manoeuvrability, maximum power at the wheels and boom, soundproofing for absolute comfort.

The new more powerful and environmentally-friendly engines with full electronic control, combined with the brand new P-ECS, allow a drastic **reduction in fuel consumption** of up to **30%**.

JUST LIKE A BIG MACHINE





VS

VARIO SYSTEM

P-ECS

EVOLUTION

HI - TECHNOLOGY

GREEN CORE

COMFORT

AGRI FARMER

DOUBLE RANGE

9 MODELS

6 - 7 - 9 m
BOOM HEIGHT

2800 - 3200 Kg
MAX CAPACITY

HYDROSTATIC
VS

101 hp





Agri Farmer **32.6**
101 hp
6 m
3200 kg
HYDROSTATIC



Agri Farmer **28.7**
101 hp
6.35 m
2800kg
HYDROSTATIC



Agri Farmer **28.9**
101 hp
8.7m
2800kg
HYDROSTATIC



Agri Farmer **30.7**
101 hp
6.35m
3000kg
HYDROSTATIC



Agri Farmer **30.9**
101 hp
8.7m
3000kg
HYDROSTATIC

HYDROSTATIC TRANSMISSION

Built using components of the latest generation and backed up by the generous performance of the propulsion units, the hydrostatic transmission allows fluid and precise manoeuvres.

VARIO SYSTEM

INFINITE RANGE OF OPERATING MODES.

The Vario System transmission ensures that the right speed-to-power ratio is always available, whatever the operating conditions. The continuously variable speed from 0 to 35 km/h and the **inching pedal** ensure maximum power is available at all operating speeds.

The new **P-ECS** (Power-Efficiency Control System) is a new concept in engine management, which provides **fuel savings of up to 30 %**.



Agri Farmer **28.7 VS**
101 hp
6.35 m
2800 kg
Vario System



Agri Farmer **28.9 VS**
101 hp
8.7 m
2800 kg
Vario System



Agri Farmer **30.7 VS**
101 hp
6.35 m
3000 kg
Vario System



Agri Farmer **30.9 VS**
101 hp
8.7 m
3000 kg
Vario System

EVOLUTION

P-ECS

**-30%
FUEL CONSUMPTION**

TRAILER TOWING

VS





Peerless handling

The use of the VS hydrostatic transmission allows easy precise manoeuvring; it is designed to deliver power to the wheels continuously without the need to change gear (from 0 to 35 km/h), while maintaining a high level of tractive power.

The innovative electronic engine/transmission management system ensures that you can always count on having always have the right amount of power available, whatever the type of terrain or load conditions.

Maximum performance

The perfect balance between the two highly-reliable speed and temperature control systems makes for exceptional performance when **towing** and working under high load.

P-ECS Power-Efficiency Control System

The operator can focus fully on the task in hand, as the optimum engine speed is calculated by the electronic control unit on the basis of the demand for power.

This ingenious system obtains a **reduction in fuel consumption of between 15 and 30%**.

Stage 3B/Tier 4i ENGINES with DPF

The attractively-styled bodywork conceals the new **KUBOTA Turbo** Aftercooled Common Rail Diesel engine with full electronic control that complies with the very stringent Stage 3B/Tier 4i emission standards.

The engine is equipped with a Diesel Particulate Filter (DPF) to reduce harmful exhaust emissions.

Intuitive filter regeneration management, with both manual and automatic functions.





COMFORT

ROPS-FOPS

360°
VISIBILITY

ON-BOARD
COMPUTER

A/C





Absolute comfort

It's the first thing you notice on board an Agri Farmer. The intelligently designed control layout makes the machine simple, intuitive and comfortable to use.

Unparalleled technology with the new **on-board computer**.

The display shows clearly and in real time all the information necessary to operate the vehicle.

The **semi-automatic air conditioning system** with 7 outlet vents allows perfect air circulation inside the cabin. The openable roof hatch and rear window, standard on all models, allowing improved ventilation while working.



With the **widest cab door** on the market, accessing the driving position is easy and safe.

Inside the cab everything has been designed in order to make work easier for the operator.

Soundproofing, **adjustable steering wheel** in both height and reach, **electric windows**, storage compartments and a range of accessories including **air conditioning**, radio, sunblind and ergonomic seat with pneumatic suspension ensure total operator comfort.

The windscreen wiper also cleans the glass at the top of the cab.

A wide mesh safety grille and one of the highest driving positions in its class provide an unrivalled visibility of **360°**.



HANDLING

AGILITY

INCHING PEDAL

NEW
JOYSTICK





All the controls in one hand

with absolute precision.

The 4-in-one joystick, standard equipment on all models, provides integrated control of the vehicle. The integral travel direction control allows rapid shuttling between forward and reverse.

The compensated flow sharing control valve allows simultaneous operation of all movements.

Easy Dumping

The ingenious **slewing** system is specially designed to increase the operating arc, which is particularly useful when dumping with the boom raised.



Agility

The high-efficiency steering system ensures that even under high load conditions **the steering** always feels **light and responsive**.

Manoeuvrability remains the chief characteristic of this compact telehandler, which boasts the **tightest turning circle in its class**.

Inching Pedal

An essential control when movements must be slowed right down or stopped, and maximum hydraulic power is required for the equipment in use.

The **servo-assisted service brake** furthermore ensures safe and modulated braking reducing stress on the pedal.

Easy Ride

Developed by Dieci design engineers, the sophisticated air suspension system installed on the boom (optional) drastically reduces oscillation when travelling over rough terrain.



- 20%
FUEL
CONSUMPTION

DISPLAY TFT
USER INTERFACE

GREEN CORE

STAGE 3B / Tier 4i
NEW ENGINES

DPF





On-board computer

Advanced instrumentation with a large **display** and intuitive icon-based interface provides comprehensive and detailed information.

Machine functions are managed via the **CANBUS system**, which provides an improved response in rapid time.

Constant monitoring of operating conditions and in-depth diagnostics using real-time data.

Electronic engine management ensures a dramatic **reduction in CO, CO₂ and NO_x emissions.**



Dieci for the environment

A leap forward into a cleaner, more sustainable future.

Dieci has chosen **ECOLOGICAL ENGINES** with full electronic control of fuel injection, turbo pressure, torque, engine rpm, engine brake, starter safety release, monitoring, diagnostics and **DPF system with automatic regeneration** for the treatment of exhaust emissions.

Enhanced performance, lower fuel consumption, reduced engine oil contamination and longer intervals between services.



TECHNOLOGY

QUICK DEP

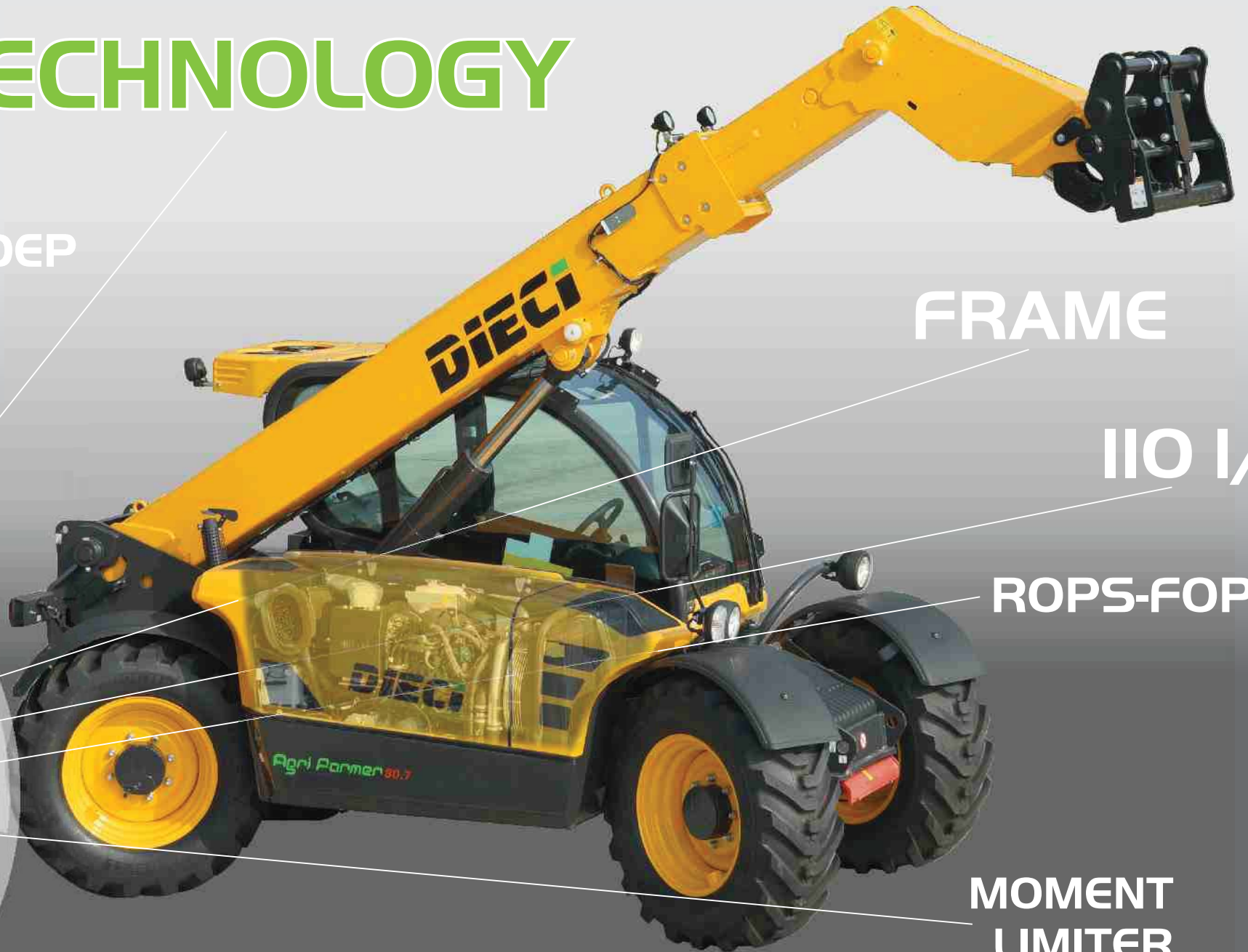
FRAME

110 1/1'

ROPS-FOPS

MOMENT
LIMITER

COMPENSATION CYLINDER





HYDRAULIC SYSTEM

The high-capacity hydraulic pump provides a flow rate of **110 l/1'** and thus helps speed up manoeuvres, **reducing operating times by up to 25%** compared with the previous model.

The **compensation cylinder (PATENTED BY DIECI)**, located inside the lifting ram, ensures that the load on the boom is balanced at all times, thereby improving durability.

QUICK DEP

System for depressurising the hydraulic service couplers: makes the connection of implements easy and effortless.

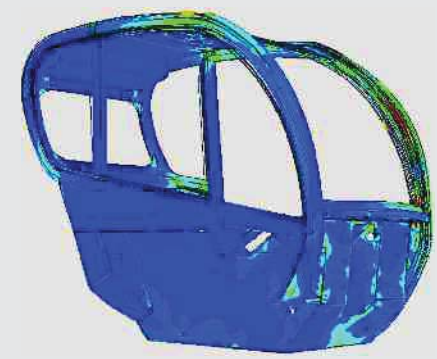
CHAIN SYSTEM

Amazing performance with the chain extension system, for increased strength and enhanced visibility.

MOMENT LIMITER

Every Dieci machine is equipped with a control device that analyzes vehicle stability in real time and inhibits any aggravating movements when the pre-set safety limits are reached.

The **Joystick** is equipped with a **capacitive deadman sensor** which, combined with the operator presence sensor in the seat, prevents accidental operation.



ROPS-FOPS approved cab designed with safety cell to prevent deformation in the event of vehicle overturn or a heavy load falling on the cab.

STURDY FRAME

The frame is one of the defining characteristics of the Dieci Agri Farmer; all welds are performed by automated robots to ensure rigidity and total safety, even under high-stress conditions.

The machine is thus totally **free of vibration and flexure**.



MADE IN ITALY



FOR THE WORLD

DIECI, with more than half a century of experience and continuous development, achieves the **perfect vehicle** for every need.

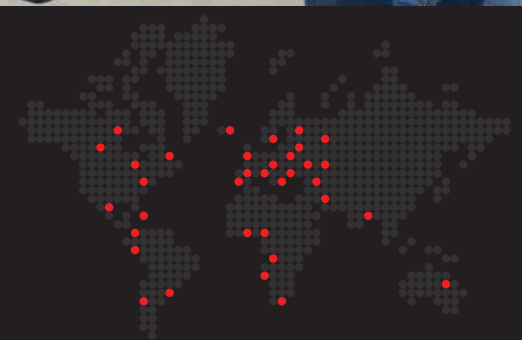
Our **Technical Assistance Service** maintains a world-wide presence through an **extensive network** of authorised service centres and dealers.

The automated spare parts warehouses and the direct assistance with the user, provide a very short time of intervention.

DIECI, within a few hours, can provide worldwide both spare parts and qualified staff.

Warranty

DIECI offers customized warranty extension packs for components and durability.



TECHNICAL SPECIFICATIONS

PERFORMANCE	32.6	28.7	28.7 VS	30.7	30.7 VS	28.9	28.9 VS	30.9	30.9 VS
Maximum capacity (kg)	3.200	2.800	2.800	3.000	3.000	2.800	2.800	3.000	3.000
Maximum lifting height (m)	6,00	6,35	6,35	6,35	6,35	8,70	8,70	8,70	8,70
Maximum horizontal outreach (m)	3,30	3,650	3,650	3,60	3,60	5,70	5,70	5,70	5,70
Outreach at maximum height (m)	0,66	0,80	0,80	0,80	0,80	0,80	0,80	0,80	0,80
Fork swiveling angle	146°	146°	146°	146°	146°	146°	146°	146°	146°
Pull-out force (daN)	5.700	5.700	5.700	5.700	5.700	5.700	5.700	5.700	5.700
Towing force (daN)	5.500	5.500	5.500	5.500	5.500	5.500	5.500	5.500	5.500
Maximum climb angle	40%	40%	40%	40%	40%	40%	40%	40%	40%
Total weight when empty (kg)	5.900	6.100	6.100	6.100	6.100	6.250	6.250	6.250	6.250
Maximum speed (km/h)	35	35	35	35	35	35	35	35	35
* referred to wheels having the maximum allowable diameter									

BOOM	32.6	28.7	28.7 VS	30.7	30.7 VS	28.9	28.9 VS	30.9	30.9 VS
Times: empty (seconds)									
Lifting	5,9	7,4	7,4	7,4	7,4	9,0	9,0	9,0	9,0
Descent	3,1	3,9	3,9	3,9	3,9	4,7	4,7	4,7	4,7
Extension	4,9	5,7	5,7	5,7	5,7	5,2	5,2	5,2	5,2
Retraction	2,7	3,2	3,2	3,2	3,2	2,9	2,9	2,9	2,9
Forward swiveling	2,5	3,2	3,2	3,2	3,2	3,2	3,2	3,2	3,2
Reverse swiveling	1,6	2,1	2,1	2,1	2,1	1,7	1,7	1,7	1,7
Patented compensation system									

DIMENSIONS	32.6	28.7	28.7 VS	30.7	30.7 VS	28.9	28.9 VS	30.9	30.9 VS
A/A*/A**	400/440*	400/440*	400/440*	400/440*	400/440*	400/440*	400/440*	400/440*	400/440*
B	1195	1315	1315	1315	1315	1232	1232	1232	1232
C	2600	2800	2800	2800	2800	2800	2800	2800	2800
D	700	650	650	650	650	743	743	743	743
E/E*/E**	3840/3890*	3990/4040*	3990/4040*	3990/4040*	3990/4040*	4087/4137*	4087/4137*	4087/4137*	4087/4137*
F	4495	4765	4765	4765	4765	4775	4775	4775	4775
G	940	940	940	940	940	940	940	940	940
H/H*/H**	2240/2280*	2040/2080*	2040/2080*	2220/2260*	2220/2260*	2040/2080*	2040/2080*	2040/2080*	2040/2080*
I	1600	1600	1600	1600	1600	1600	1600	1600	1600
L	2000	2000	2000	2000	2000	2000	2000	2000	2000
M	4830	4900	4900	4900	4900	4900	4900	4900	4900
N	1530	1670	1670	1670	1670	1670	1670	1670	1670
O	3910	4000	4000	4000	4000	4000	4000	4000	4000
dimensions in millimetres - (*) - (**) = Dimensions refer to optional wheels									

TIRES	
Tires	405/70x20"
*Alternative	405/70x24"

REFUELING (liters)	
Hydraulic system (total)	110
Diesel tank	100

CE HYDRAULIC SYSTEM	32.6	28.7 - 28.9	30.7 - 30.9
Gear pump with max. capacity (l/1')	115	115	
Max operating pressure (bar)	245	230	
Joystick control of hydraulic control valve	4 in 1 electro-proportional		

VS HYDRAULIC SYSTEM	28.7 - 28.9	30.7 - 30.9
Gear pump with max. capacity (l/1')	115	
Max operating pressure (bar)	230	
Joystick control of hydraulic control valve	4 in 1 electro-proportional	

ENGINE	
Model	Kubota
Maximum power kW (hp)	74.5 (101)
Revolutions per minute (rpm)	2600
Operation	4-stroke Diesel
Injection	Electronic Direct, Common Rail
Number and arrangement of cylinders	4, vertical in line
Displacement (cm ³)	3769
Specific consumption at 2600 rpm (g/kWh) *	231
Exhaust gas after-treatment system	DPF (Stage 3B/Tier 4i)
Turbo compressor / Liquid cooling system	

* at maximum power

DIFFERENTIAL AXLES	
Steering axles: 2, with planetary reduction gears	
Steering types: 4-wheel / transversal / 2-wheel	
Front axle: rigid	
Rear axle: oscillating	
Oil bath service braking on the front axle with servo-brake	
Negative action parking brake.	
For machines with "Tractor" approval:	
Service brake in oil bath on the 4 wheel with a double hydraulic system and servo-brake	

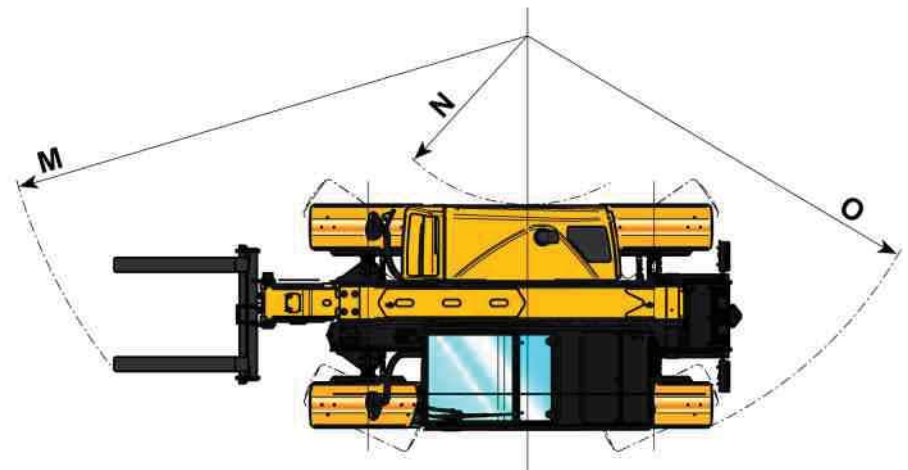
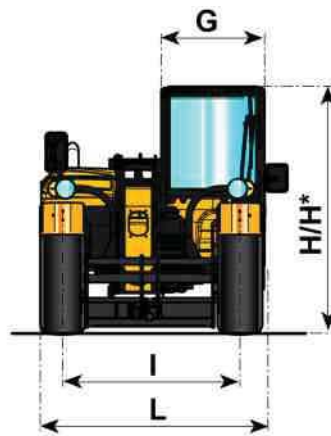
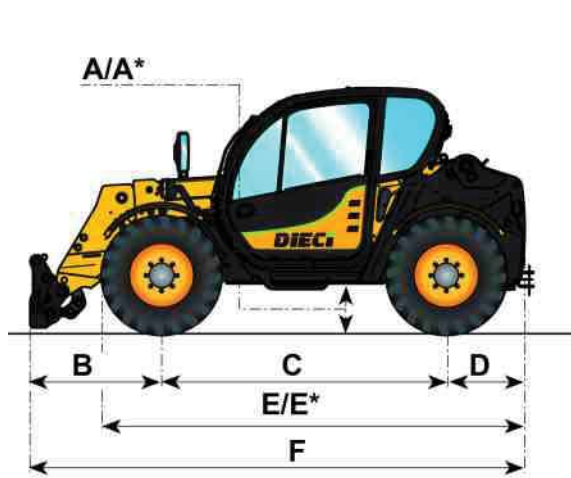
CE TRANSMISSION	
Hydrostatic transmission with variable displacement pump	
Hydrostatic engine with automatic adjustment	
Electro-hydraulic forward/reverse shuttling	
Inching pedal for controlled forward movement	
Servo controlled 2-speed gearbox	

VS TRANSMISSION	
Hydrostatic transmission with electronically controlled variable displacement pump	
Hydrostatic engine with Vario System continuous adjustment	
Electronic inching pedal	
Power-Efficiency Control System	
Electronic management of machine functions for optimised fuel consumption without compromising performance	

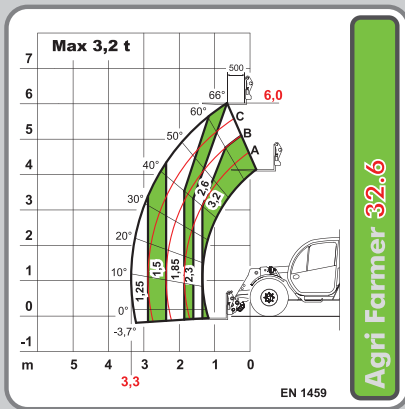
OPTIONALS AND ACCESSORIES	
A/C	
Water Heaters	
Seat pneumatic suspension	
Light on the boom head	
LED work lights	
Quick coupling for accessories	
Radio	
Anti-theft system	
Window protection	
(for further customizations, contact your local dealer).	

TOWING CAPABILITY (on request)	
Unbraked trailer (t):	6
Inertia braking (t):	6
Mechanical braking (t):	6
Hydraulic/air braking (t):	17
Including 20" wheels	

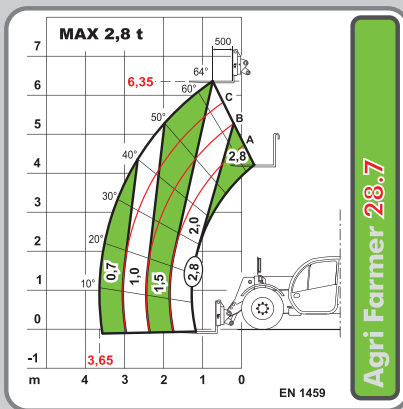
STANDARD EQUIPMENT	
Anti-rollover device with inhibition of aggravating movements	
Hydraulic coupler for accessories on boom head	
Soundproofed, type-approved ROPS - FOPS enclosed cab, with heating	
Self-locking differential on front axle (limited slip 45%)	
Self-cleaning cyclonic filter	
Electric windows	
LCD screen / Digital rev counter	



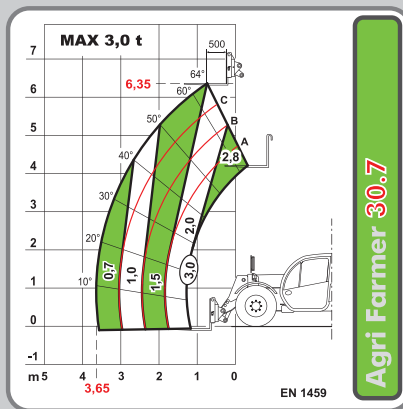
(*) = Dimensions refer to optional wheels



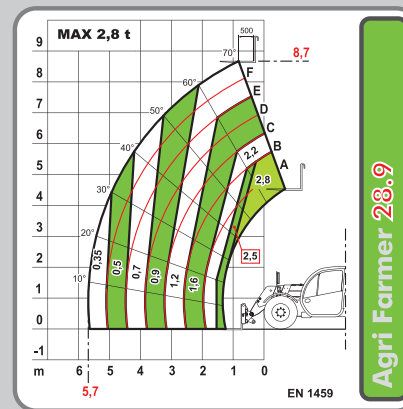
Agri Farmer 32.6



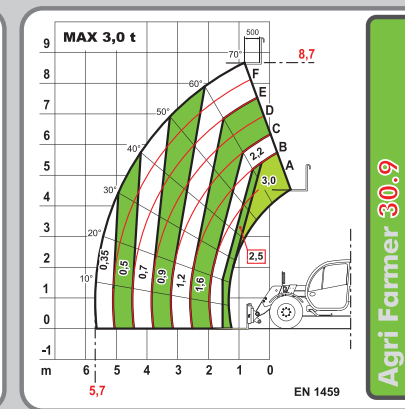
Agri Farmer 28.7



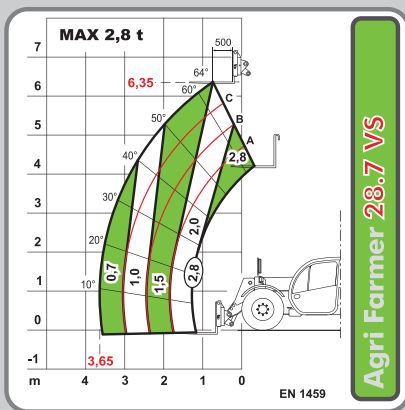
Agri Farmer 30.7



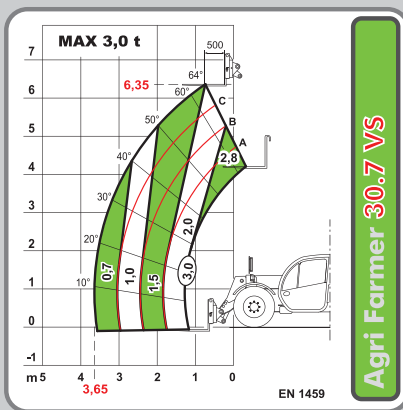
Agri Farmer 28.9



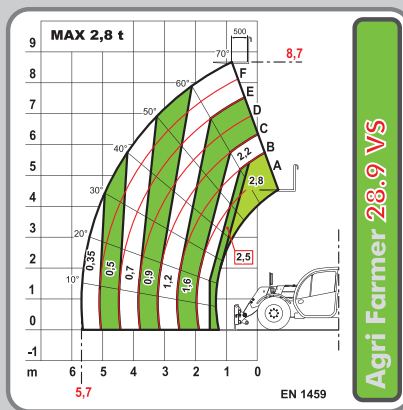
Agri Farmer 30.9



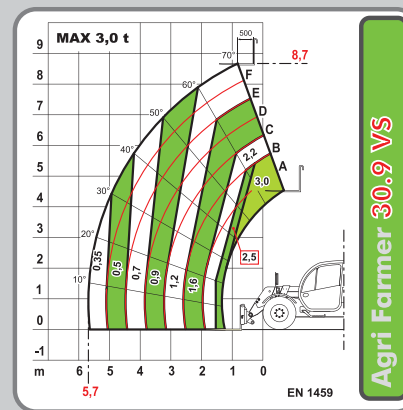
Agri Farmer 28.7 VS



Agri Farmer 30.7 VS



Agri Farmer 28.9 VS



Agri Farmer 30.9 VS

The photographs in this catalogue purely indicative due to the continuous drive for evolution and research

