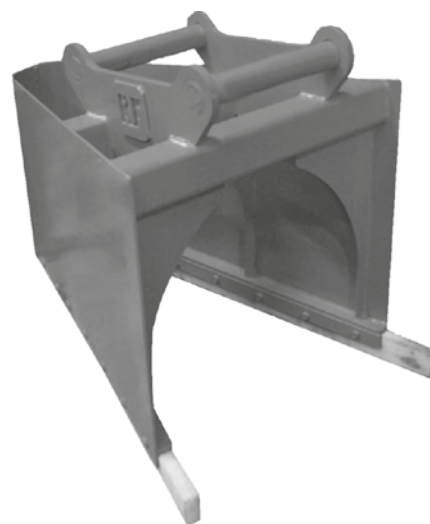


Levelling Plough

AVP

The AVP Levelling Plough is the ideal tool to collect or spread ballast and gravel – for excavators from 8 - 20 t / 17600 - 44000 lbs operating weight.

- **Easy to use:** fill up the V to make a slope or pull up ballast along the track.
- **For different loose materials** such as gravel, ballast, etc.
- Available **with or without rubber blades**.
- **Different couplings** available.
- **Robust construction** without protruding parts.
- **Simple and efficient.**

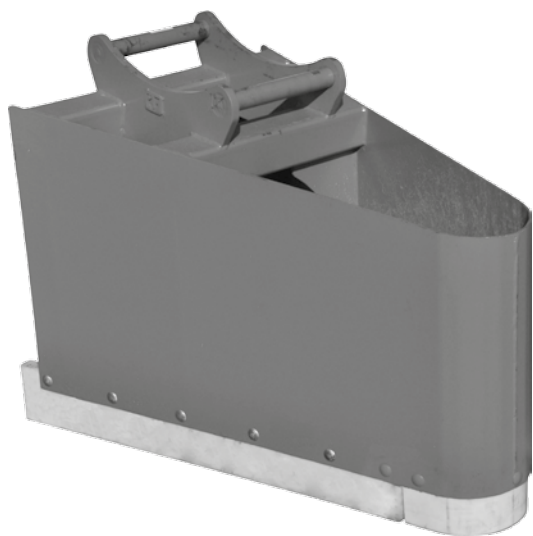


Levelling Plough AVP

| Type | Weight (kg / lbs) | Length (mm / in) | Height (w/o coupling) (mm / in) | Width (mm / in) | Coupling | Operating weight (t / lbs) |
|------|----------------------|---------------------|---------------------------------------|--------------------|-----------------|-------------------------------|
| AVP | 170 / 374 | 1200 / 47.24 | 800 / 31.50 | 800 / 31.50 | S45 / S50 / S60 | 8 - 20 / 17600 - 44000 |

Package consists of: levelling plough, welded coupling

Pictures – Examples of Use



VIDEO

