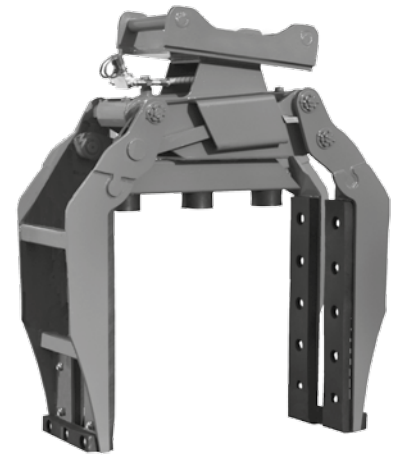


GRL

Cable Lid Grapple

The GRL Cable Lid Grapple lifts all or just parts of pallet-stacked cable/trench lids – for excavators with 4 t - 24 t / 8800 - 52800 lbs operating weight.

- **Low self weight.**
- Ideal for **laying new or old lids.**
- Handling and positioning of lids **in existing cable trenches.**
- A **special holding valve** provides a safe grip – even if pressure drops.
- **Compression rails** hold lids firmly without damaging them.



Cable Lid Grapple GRL

Type	max. Load capacity (kg / lbs)	Weight (kg / lbs)	Opening width (mm / in)	Trench lid width (mm / in)	Width (mm / in)	Operating weight (t / lbs)
GRL	800 / 1760	235 / 517	0 - 1670 / 0 - 65.75	750 - 800 / 25.40 - 31.50	320 / 12.60	4 - 24 / 8800 - 52800

Package consists of: lid grapple

Requirements of Excavator

One hydraulic circuit needed

Operating pressure:

max. 20 MPa (200 bar) / 2880 psi

Pump capacity:

30 - 60 l/min / 7.93 - 15.85 GPM

Different couplings available

Pictures – Examples of Use

