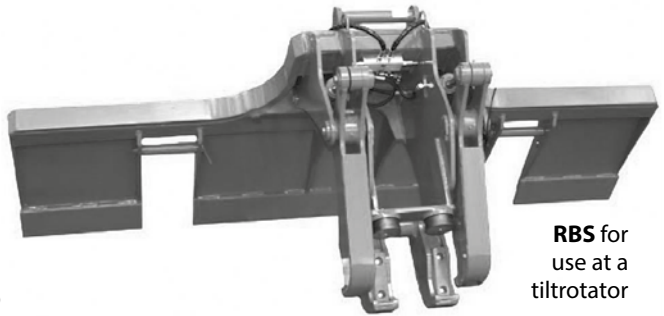


Sleeper Changing Unit with Ballast Shield for Use on a Tiltrotator RBS

Sleepers of any kind can be removed and placed with the Sleeper Changing Unit RBS. The unit suits excavators from 10 - 24 t / 22000 - 52800 lbs operating weight in combination with a tiltrotator.

- **Efficiency:** the large shield helps clearing / preparing the track. The sleeper is grabbed by two hydraulically operated grippers and then pulled out from the ballast bed. Once the new sleeper is placed, the shield can be used to level the ballast. Efficiently.
- **Safety:** a special holding valve provides a safe grip – even if pressure drops.
- **Precision:** exact positioning is enhanced by adjustable end stop
- **Integrated adapter** for its use on a tiltrotator or quick coupler.
- **Light weight** – made of HARDOX quality steel.
- **Adjustable depth** allows for more flexibility.



RBS for use at a tiltrotator

Sleeper Changing Unit RBS with Ballast Shield for Use on a Tiltrotator RBS

Type	Gripping range A (mm / in)	Weight (kg / lbs)	Length E (mm / in)	Height C (mm / in)	Width D (mm / in)	Gripper elements (pieces)	Load capacity (kg / lbs)	Operating weight (t / lbs)
RBS	0 - 440 / 0 - 17.32	400 / 880	2700 / 106.30	1005 / 39.57	1360 / 53.54	2	2000 / 4400	10 - 24 / 22000 - 52800

Package consists of: sleeper changing unit, welded coupling

Requirements of Excavator

One hydraulic circuit needed

Operating pressure:

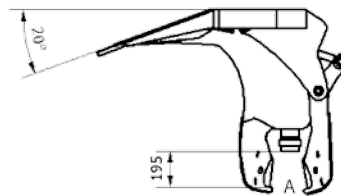
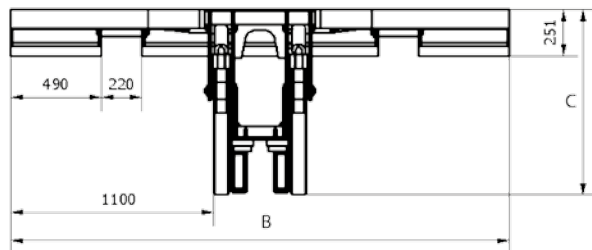
max. 20 MPa (200 bar) / 2880 psi

Pump capacity:

30 - 60 l/min / 7.93 - 15.85 GPM

Different couplings available

Technical Drawings – Examples of Use



RBS

