

## Tilt-Rotators: Standard/Quick Connect

Maximize your working potential by saving time with Tilt-Rotators. Tilt-Rotators allow operators to move the excavator less by positioning the attachment through tilting or rotating rather than moving the excavator.

Available in two versions: Standard or Quick Connect.

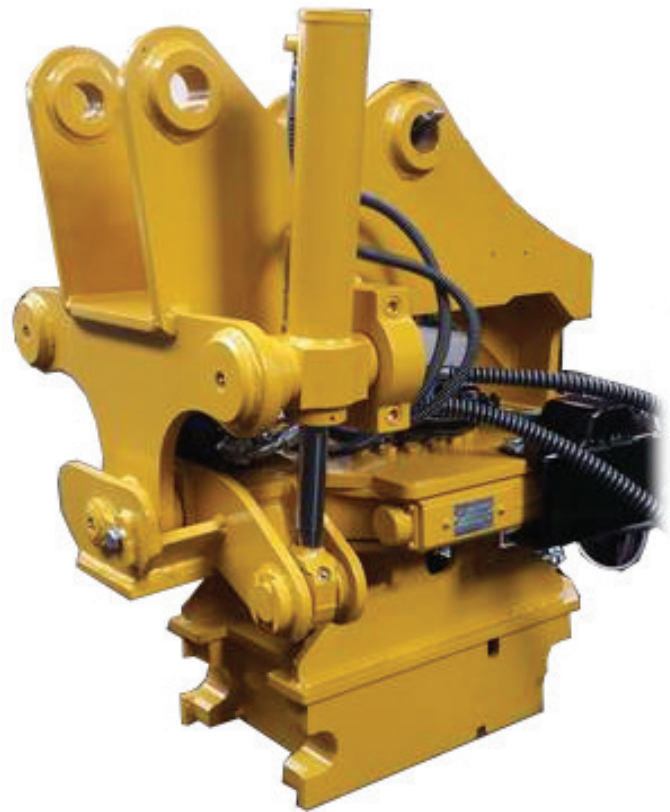
**Standard:** Features a rotator that is directly connected to the attachment, with  $\frac{3}{4}$ " lines, 37 GPM at 4,800 PSI available for the attachment.

**Quick Connect:** Features a rotator that has a custom built connection to the stick and link, a Quick couple attachment point,  $\frac{3}{4}$ " lines, 24 GPM at 4,800 PSI for each control. The selection is electric but the operation is hydraulic allowing for progressive control of the attachment.

**Optional:** Available for either version is a third selector valve and control.

### Features

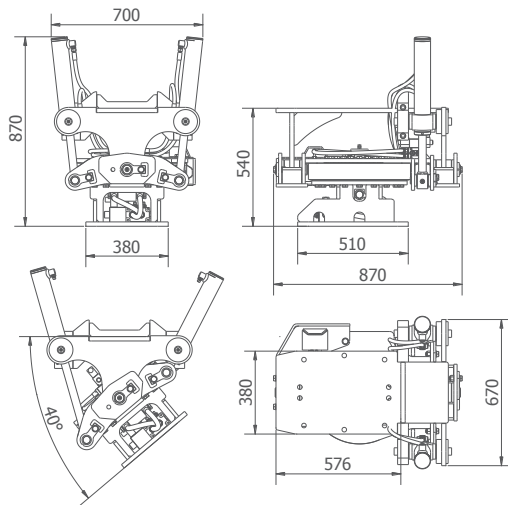
- Tilt angle of 40°
- 360° of Bi directional Rotation
- Operating pressures up to 4,800 PSI and 37 GPM
- Progressive Hydraulic controls (allowing for more precise movements)
- Flexible smaller section hoses with external metal protection



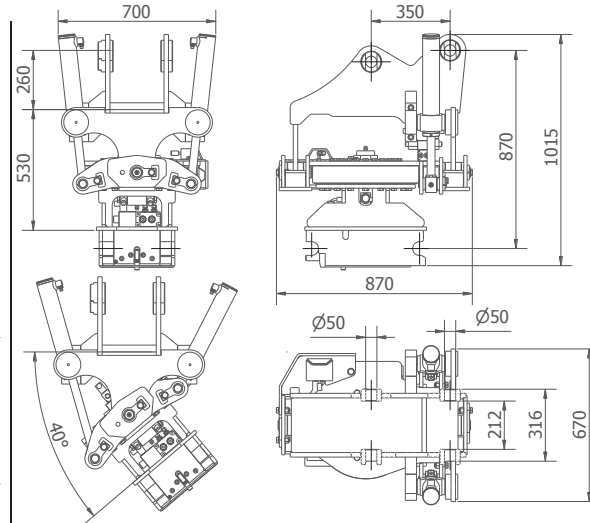
Quick Connect (ROT 2 D)

## Tilt-Rotators: Standard/Quick Connect (Con't)

**Standard (ROT 2)**



**Quick Connect (ROT 2 D)**



MODEL	WEIGHT	VOLT	MACHINE
	LBS.	V	TONS
ROT 2	860	12/24	14-24
ROT 2 D	1,058	12/24	14-24

MODEL	PRESSURE	MOTOR	FLOW	MOTOR	PRESSURE	TILT	FLOW	TILT	PRESSURE	OPEN/CLOSE	FLOW	OPEN/CLOSE
	PSI		G/MIN		PSI		G/MIN		PSI		G/MIN	
ROT 2	1,595		13		3,626		13		4,381		24	
ROT 2 D	1,595		13		3,626		13		4,381		24	

### Options



ROTATING DEVICE LOWER BODY



FLANGE TO WELD